

Nonlinear Optical Crystal Oven

Description

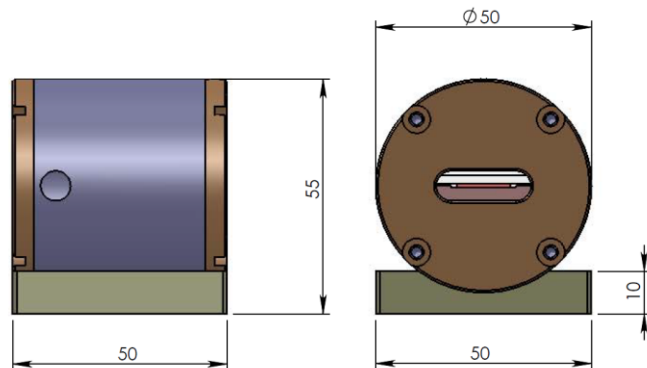
OECRO-100 is a compact oven specifically designed for thermal management of nonlinear optical (NLO) crystals. There are several cases where we need precise temperature control of NLO crystals (like LiNbO₃, PPLN, KTP, LBO, BBO, KDP, KNbO₃ etc), mainly for (i) precise phase matching (ii) preventing moist condensation (iii) thermal stability or (iv) achieving tunability. **OECRO-100** is a cost effective high performing solution for any of those situations.

Features

- Stable performance
- Wide temperature range
- Compact
- Custom design available

Application

- Nonlinear optics
- Phase matching
- Laser technology



Specifications:

Parameter	Value
Maximum operating temperature	200 °C
Temperature stability	± 0.01 °C
Maximum crystal dimension (LXWXH)	15X15X2 mm
Oven dimension	∅50X50 mm

All specifications are subject to change without notice