

[OEOCO-100]

## Optical Crystal Oven

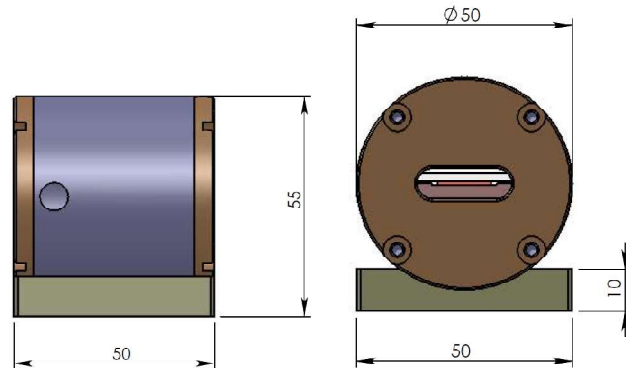
### Features:

- Stable performance
- Wide temperature range
- Compact
- Custom design available



### Applications:

- Nonlinear optics
- Phase matching
- Laser technology



### Product description:

OEOCO-100 is a compact oven specifically designed for thermal management of nonlinear optical (NLO) crystals. There are several cases where a precise temperature control of NLO crystals (like LiNbO<sub>3</sub>, PPLN, KTP, LBO, BBO, KDP, KNbO<sub>3</sub> etc) are needed, mainly for (i) precise phase matching (ii) preventing moist condensation (iii) thermal stability or (iv) achieving tunability. OEOCO-100 is a cost effective high performing solution for any of those situations.

Parameter	Unit	OEOCO-200
Maximum operating temperature	°C	200
Temperature stability	°C	± 0.01
Maximum crystal dimension	mm	15x15x2
Oven dimension	mm	φ50 x50

### Ordering number:

OEOCO-100:	
Example:	OEOCO-100